

# Hickory Step Triple Rise

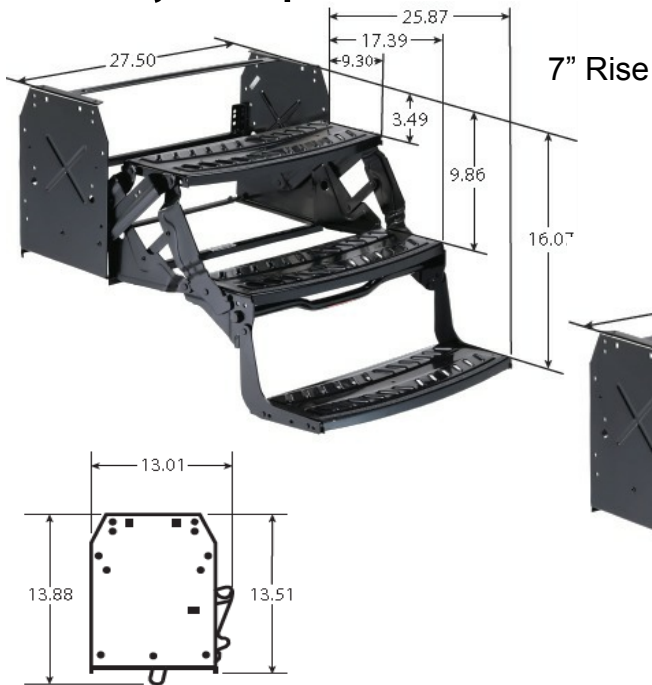


This 8-3/4" deep, triple pull-out RV step features a unique pivotal action that allows for opening and closing with just one hand and a self locking mechanism that securely locks into place when stowed. Steps are 24" wide and have a 7" rise with a radius front edge. A slip-resistant surface provides safe entry and exit. Bolts or welds onto your RV frame. Rust-resistant black powder coat.

**HSM**  
Hickory RV Step  
[www.hickoryrvsteps.com](http://www.hickoryrvsteps.com)



## Hickory RV Step



## Triple Step

## Hickory RV Step



### FEATURES & BENEFITS

- Get in and out of your towable easily with these manual pull steps.
- Simply pull steps out for use and position back in place for travel
- Automatically lock in stowed position
- Nonskid surface provides sure footing
- Grab handle for ease of use while keeping hands clear of moving parts
- 1/2" grip strip near the edge provides additional traction
- Black powder coated steel is sturdy and rust resistant
- Easy bolt-on or weld-on installation
- Mounts to RV frame in same manner as original step
- May require outriggers (sold separately) for installation
- Made in the USA

### TECHNICAL SPECIFICATIONS

Specs:

- Weight capacity dependent upon 3 factors:
  - Location of installation area
  - Capacity of installation area
  - Materials used for installation
- Step dimensions: 24" wide x 8-3/4" deep
- Mounting base dimensions: 27-1/2" wide x 9" deep
- Bolt hole centers: 26" wide x 7" deep
- Drop/rise: 6-3/4"
- 1-Year limited warranty

### Alternate Tread

